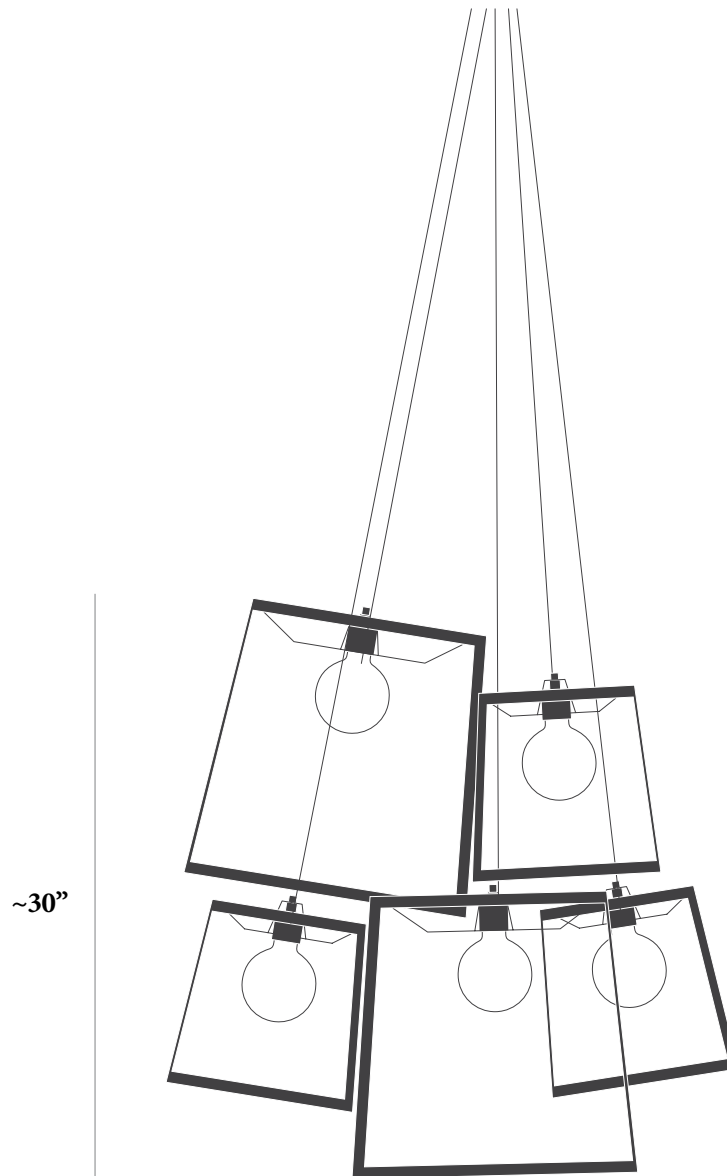


Iacoli & McAllister

5 PIECE FRAME CLUSTER

2 Medium Frame Lights

3 Small Frame Lights



Materials / Finishes

Powder Coated or Plated Steel
Textile Electrical Cable

Year Designed

2011

Country of Manufacture

United States

Dimensions

Approx. 36" x 36" x 30"
Depends on Hanging Composition

Weight

13 lbs / 6.35 kg

Bulb

3" 40W White Globe Provided
100W Bulb / Dimmer
Recommended
60W or Lower / No Dimmer

Certification

UL/cUL listed

Additional Electrical Info

To specify 270 volt fixtures for commercial projects, please inquire. Please note that the UL sticker is on the inside of the canopy.

Powder Coat

Black / White / Aqua / Tomato



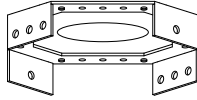
Plated

Brass / Copper / Chrome



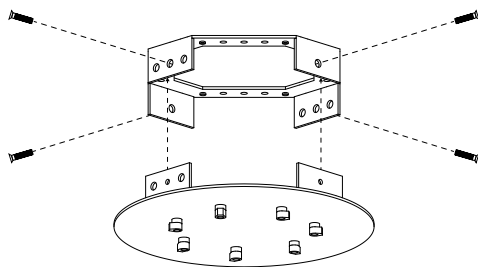
Iacoli & McAllister

5 PIECE FRAME CLUSTER INSTALLATION INSTRUCTIONS

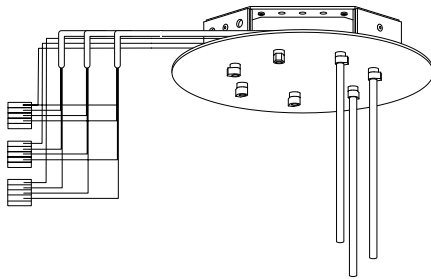
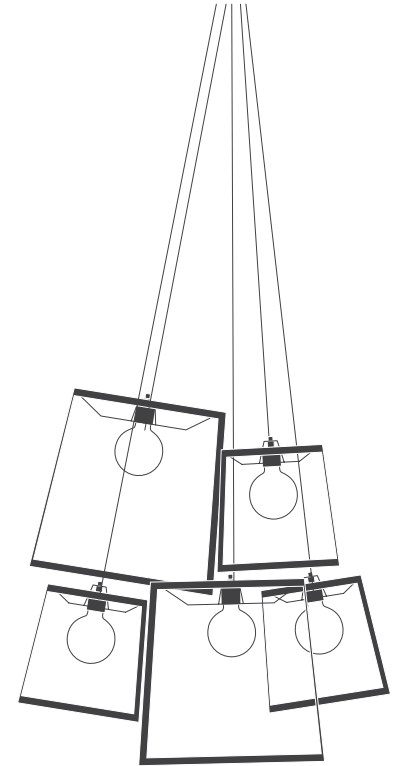


* Confirm that the mounting bracket will be mounted securely into wood blocking or determine the appropriate hardware for mounting a 33 lb. fixture in your ceiling type.

1. Disconnect power to fixture.
2. Determine and mark mounting bracket plate position.*
3. Anchor mounting bracket.
4. If necessary, use provided 12 gauge pigtails and wire nuts to lengthen existing wiring in electrical junction box.



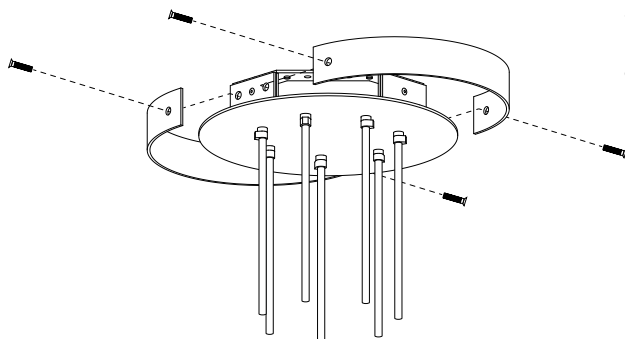
5. Secure canopy to mounting bracket using the provided screws. Route pigtails to one of the open sides of the mounting bracket.



6. Feed each pendant cord through cord grip, pulling extra length to open side of canopy; lock into position with set screw on cord grip. When all pendants are in position* cut extra length from pendants so that twelve inches extend from the open side of the canopy.

*Work with your designer on the ground through this process to establish the final cluster arrangement.

7. Strip outer sheathing from each pendant cord. Strip the ends of each black, white and green wire to 10mm or 0.37" of bare copper. Make connections as shown in wiring diagram; black wires to the hot wire, white wires to neutral and green wires to ground.



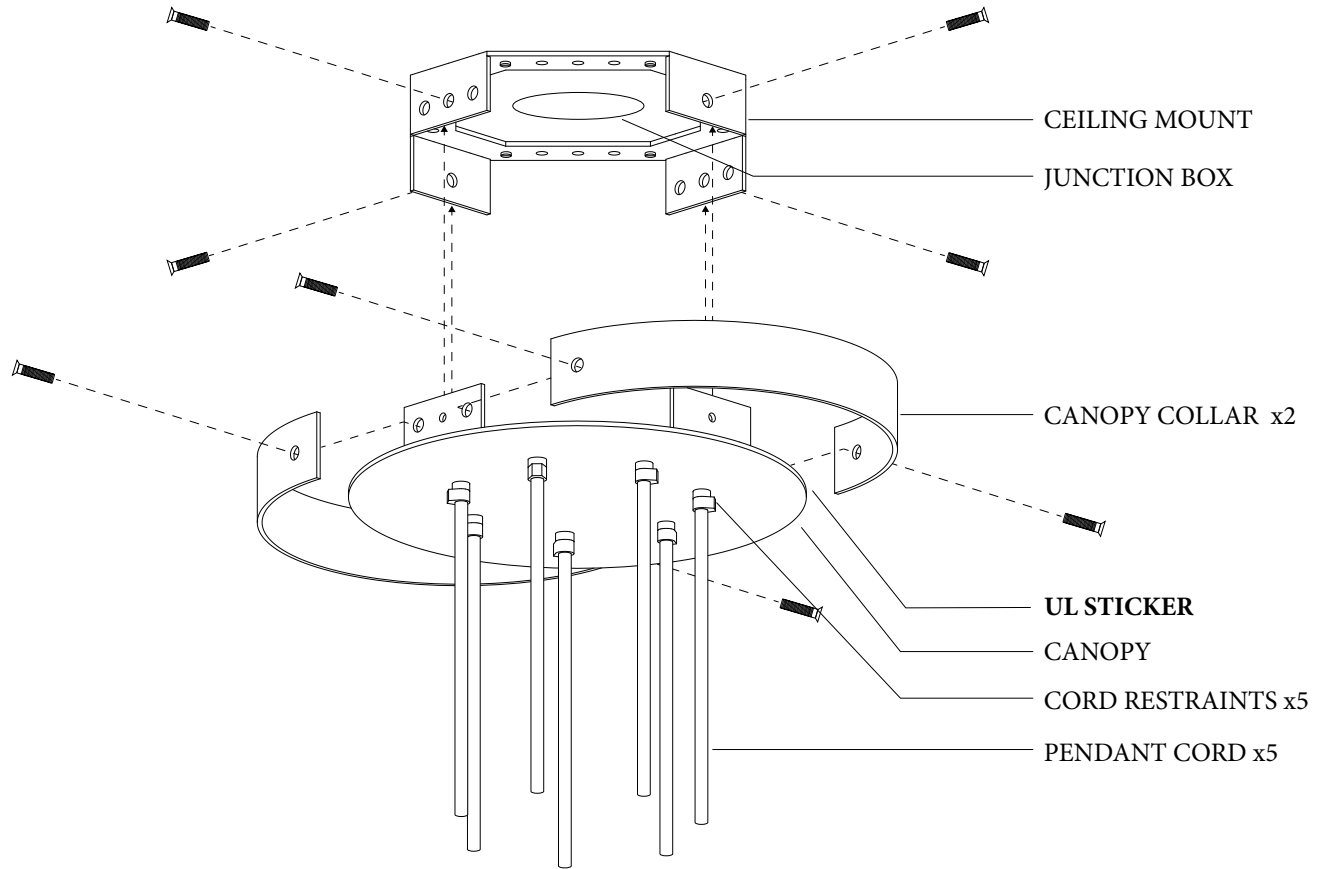
8. When all electrical connections have been made, gently coil the wiring inside the canopy.
9. Install both cover plates.

Iacoli & McAllister

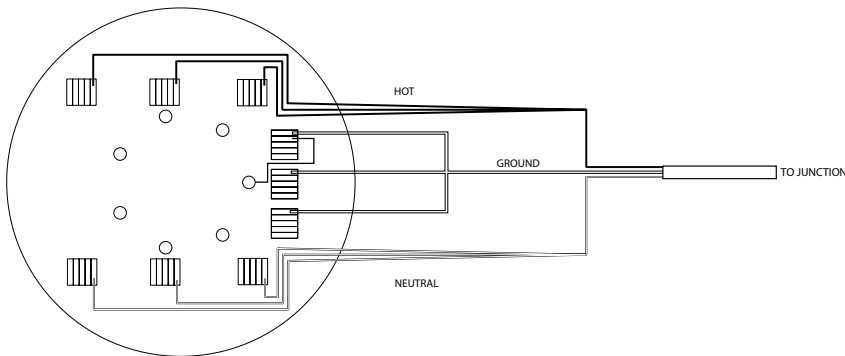
5 PIECE FRAME CLUSTER INSTALLATION INSTRUCTIONS



CANOPY DIMENSIONS
10" DIAMETER x 1 5/8" DEPTH



GREEN/COPPER = GROUND
BLACK = HOT OR POSITIVE
WHITE = NEUTRAL



**Diagram is for reference only.
Actual amount of wires and Wago
wire nuts may vary according to cluster
configuration.