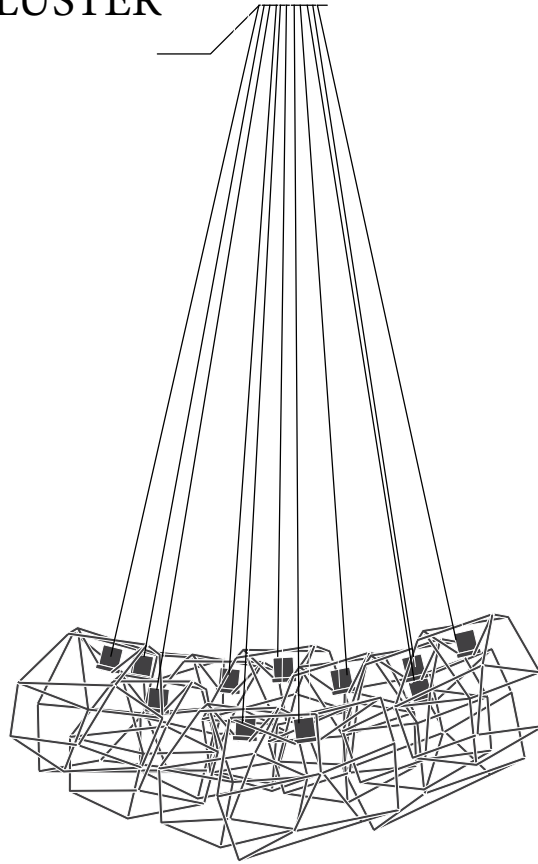
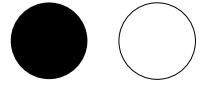


Iacoli & McAllister

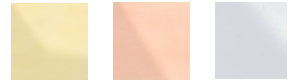
11 PIECE SPICA CLUSTER



POWDER COAT Black / White



PLATED Brass / Copper / Chrome



Materials / Finishes

Powder coated or plated steel pendant.
Textile electrical cable.

Year Designed

2014

Country of Manufacture

United States

Dimensions

Approx. 68" Diameter x 20" High

Weight

22lbs / 9.97kg

Bulb

3" white globe
100 watt bulb / dimmer recommended
60 watt or lower / no dimmer

Certification

UL and cUL listed.
To specify 270 volt fixtures for commercial projects, please inquire.

Product Codes

Powder Coated

11PcSp-1101 Black Fixtures / White Cords
11PcSp-1102 Black Fixtures / Black Cords
11PcSp-1103 White Fixtures / White Cords

Plated

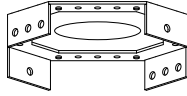
11PcSp-1111 Brass Fixtures / White Cords
11PcSp-1112 Brass Fixtures / Black Cords
11PcSp-1113 Copper Fixtures / White Cords
11PcSp-1114 Copper Fixtures / Black Cords
11PcSp-1115 Chrome Fixtures / White Cords
11PcSp-1116 Chrome Fixtures / Black Cords



*Please note that the UL sticker is on the INSIDE of the canopy.

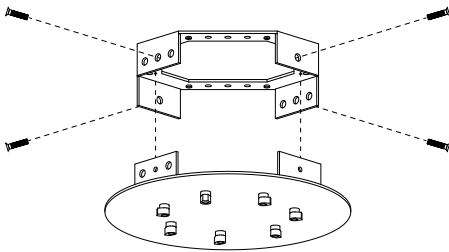
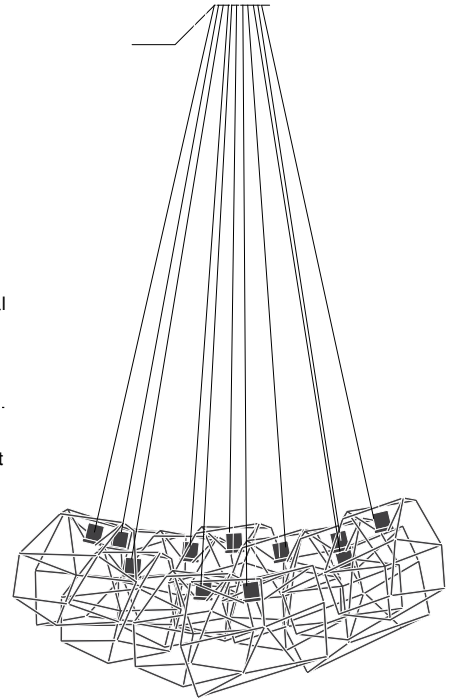
Iacoli & McAllister

11 PIECE SPICA CLUSTER INSTLATION INSTRUCTIONS

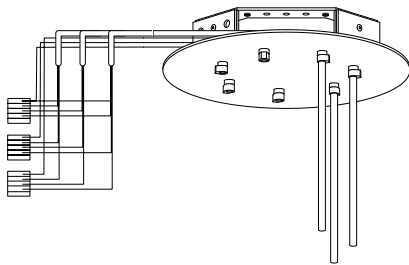


* Confirm that the mounting bracket will be mounted securely into wood blocking or determine the appropriate hardware for mounting a 33 lb. fixture in your ceiling type.

1. Disconnect power to fixture.
2. Determine and mark mounting bracket plate position.*
3. Anchor mounting bracket.
4. If necessary, use provided 12 gauge pigtails and wire nuts to lengthen existing wiring in electrical junction box.

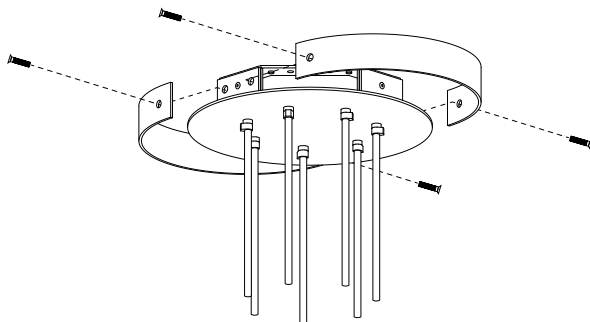


5. Secure canopy to mounting bracket using the provided screws. Route pigtails to one of the open sides of the mounting bracket.



*Work with your designer on the ground through this process to establish the final cluster arrangement.

6. Feed each pendant cord through cord grip, pulling extra length to open side of canopy; lock into position with set screw on cord grip. When all pendants are in position* cut extra length from pendants so that twelve inches extend from the open side of the canopy.
7. Strip outer sheathing from each pendant cord. Strip the ends of each black, white and green wire to 10mm or 0.37" of bare copper. Make connections as shown in wiring diagram; black wires to the hot wire, white wires to neutral and green wires to ground.



8. When all electrical connections have been made, gently coil the wiring inside the canopy.
9. Install both cover plates.

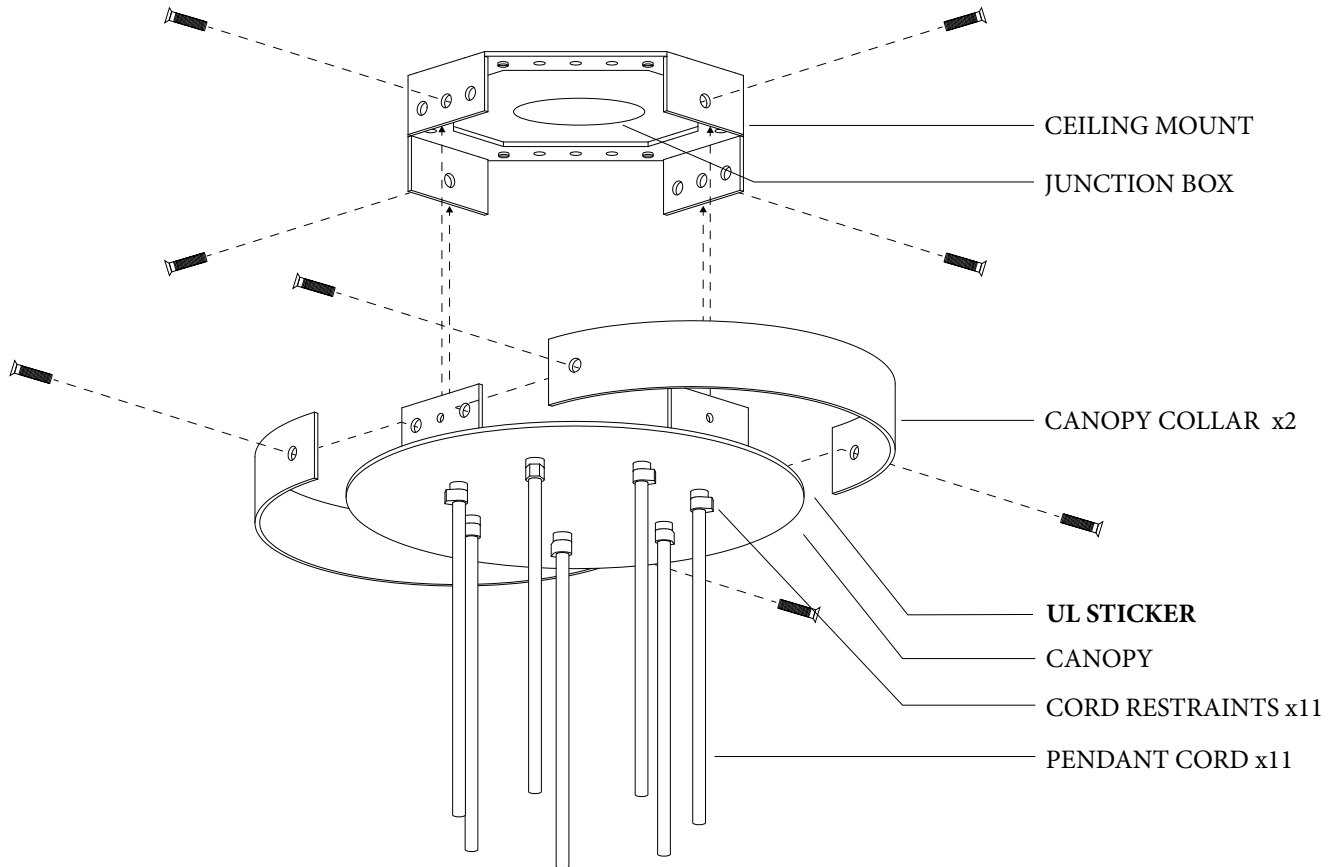


*Please note that the UL sticker is on the INSIDE of the canopy.

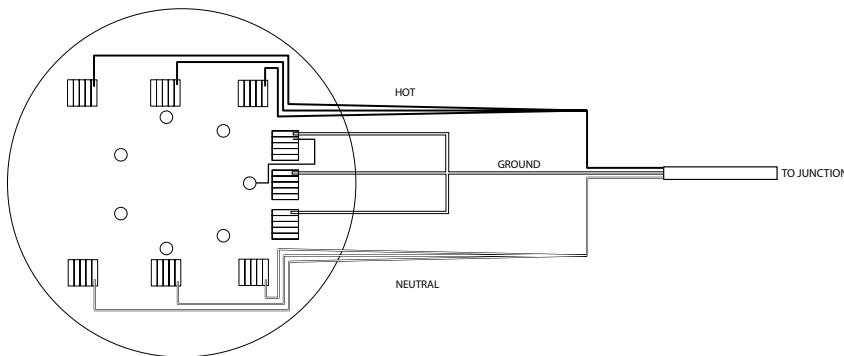
Iacoli & McAllister

11 PIECE SPICA CLUSTER INSTALLATION INSTRUCTIONS

CANOPY DIMENSIONS
10" DIAMETER x 1 5/8" DEPTH



GREEN/COPPER = GROUND
BLACK = HOT OR POSITIVE
WHITE = NEUTRAL



**Diagram is for reference only.
Actual amount of wires and Wago
wire nuts may vary according to cluster
configuration.



*Please note that the UL sticker is on
the **INSIDE** of the canopy.